

**DIO** WANNA  
HAVE FUN?



**DIO**  
110

PRESENTING  
**DIO  
110**

*Get ready for a fun ride, packed with world-class features. The high-quality TFT display delivers crystal-clear readability, while tracking real-time fuel efficiency. The Idling Stop system boosts fuel economy and reduces fatigue, making city rides effortless. The built-in USB Type-C charger keeps you connected on the go. The powerful LED headlamps add style to every ride. The Honda Dio 110 promises a smooth, efficient, and fun experience, every time!*



# Did you WANNA HAVE FUN WITH **NEW** TECHNOLOGY?

## TFT METER

10.67 cm

Advanced and interactive, the TFT meter provides real-time and average fuel efficiency, and range (distance to empty), keeping you always informed.

REAL-TIME MILEAGE

RANGE  
(DISTANCE TO EMPTY)

AVERAGE MILEAGE



## IDLING STOP SYSTEM



The Idling Stop system automatically shuts down the engine during brief stops, reducing unnecessary fuel consumption, and easing rider fatigue.

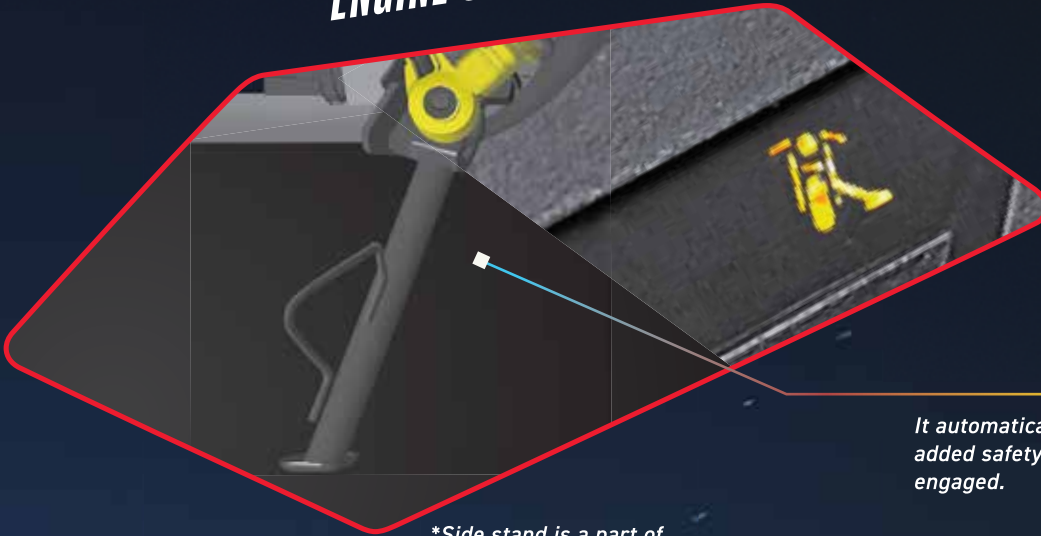
## USB TYPE-C CHARGING



With the built-in USB Type-C charger, never ever worry about your phone's battery running out.



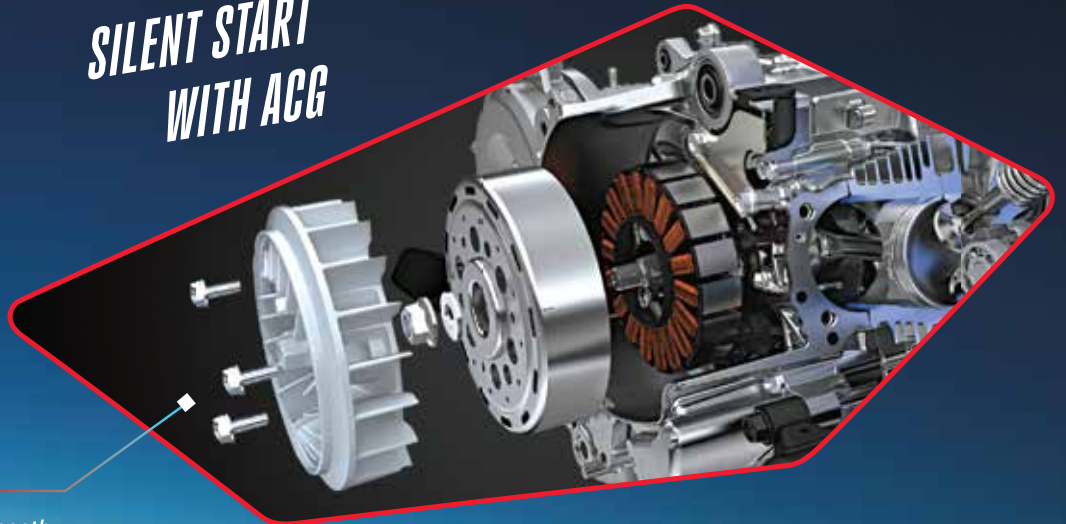
## SIDE STAND ENGINE CUT-OFF\*



It automatically shuts off the engine for added safety when the side stand is engaged.

*\*Side stand is a part of genuine standard accessories.*

## SILENT START WITH ACG



The ACG Starter provides a smooth, silent start every time, and reduces engine maintenance.

## PGM-FI FUEL INJECTION

The PGM-FI system optimizes fuel and air for efficient combustion, ensuring steady power and better mileage.

**DIO** WANNA  
HAVE **FUN** WITH

**COMFORT?**



## PASSING SWITCH



Pass like a boss with an easy-to-use passing switch for high beam, low beam, and passing with a flick.

## RETRACTABLE PILLION FOOT STEP



Convenient and easy to use, so that the comfort of those sitting behind is always at the forefront.

## FRONT POCKET



A pocket that's amazingly spacious. So, whether it's your sipper or sunglasses, keep all your essentials close.

## EXTERNAL FUEL LID



Now no need to get up to get your Dio 110 refilled with an external fuel lid.



**Dio** WANNA  
HAVE FUN WITH

**STYLE?**





## **SPLIT GRABRAIL**



*A bold, sleek grabrail that grabs attention from the first glance onwards.*

## **STYLISH MUFFLER PROTECTOR**



*A stylishly cool muffler protector to up the style game.*

## **ALLOY WHEELS**



*These alloy wheels combine stylishness with unmatched comfort.*

## POSITION LAMP

*The distinctive LED lamp enhances the bold look while adding a touch of flair to your style.*



## FIERCE LED HEADLAMP

*For trendsetters who own the night, the sleek LED lights provide a bright, clear view of the road ahead.*



**DID** WANNA  
HAVE **FUN** WITH  
**COLOURS?**



**IMPERIAL RED METALLIC**



**MAT MARVEL BLUE**



**MAT AXIS GRAY METALLIC**



**PEARL IGNEOUS BLACK**



**PEARL IGNEOUS BLACK  
+ PEARL DEEP GROUND GRAY**

# DIO 110

## AVAILABLE IN 2 DIFFERENT VARIANTS

Features	STD	DLX
TFT Meter	x	✓
Eco Indicator	x	✓
Real Time Fuel Efficiency	x	✓
Average Fuel Efficiency	x	✓
Range (Distance To Empty)	x	✓
Alloy Wheels	x	✓
Periodic Maintenance Indicator	x	✓
Automatically Adjustable Meter Light & Dark Theme Modes	✓	✓

Features	STD	DLX
Universal USB-C Type Charging	Optional	✓
Idling Stop System With Turn Off Switch	✓	✓
Double Lid External Fuel Fill	✓	✓
Glove Box	✓	✓
ACG Silent Start	✓	✓
CBS With Equalizer	✓	✓

## TECHNICAL SPECIFICATION<sup>+</sup>

Body Dimensions	
Length	1808 mm
Width	677 mm
Height	1151 mm
Wheel Base	1260 mm
Ground Clearance	160 mm
Seat Length	650 mm
Kerb Weight	106 kg
Fuel Tank Capacity	5.3 L

Engine	
Type	4 Stroke, SI Engine
Displacement	109.51 cc
Max Net Power	5.85 kW @ 8000 rpm
Max Net Torque	9.03 N-m @ 5500 rpm
Bore	47.0 mm
Stroke	63.121 mm
Fuel System	PGM - FI
Compression Ratio	10.0:1
Air Filter Type	Viscous Paper Filter
Starting Method	Kick / Self

Transmission	
Clutch Type	Automatic

Tyres & Brakes	
Tyre Size (Front)	90/90-12 54J
Tyre Size (Rear)	90/100-10 53J
Tyre Type (Front)	Tubeless
Tyre Type (Rear)	Tubeless
Brake Type & Size (Front)	Drum - 130 mm
Brake Type & Size (Rear)	Drum - 130 mm

Frames & Suspensions	
Frame Type	Underbone
Front	Telescopic
Rear	Unit Swing

Electricals	
System Voltage	12V
Battery	5.0 Ah
Head Lamp	LED

\*The technical specifications and design of the vehicle may vary according to the requirements and conditions without any notice • Range (distance to empty), real time and average mileage readings may vary as per the variant and riding conditions • Dio 110 meets Bharat stage VI OBD-2B norms • Product shown in the picture may vary from the actual product available in the market • Accessories shown in the picture are not part of the standard equipment • All features and colours may not be part of all variants • \*Conditions apply.

**Honda Motorcycle and Scooter India Pvt. Ltd.**  
**Registered Office:** Plot No. 1, Sector-03, IMT Manesar, Distt. Gurugram- 122050 (Haryana)  
**Tel:** +91(0)124-2290011, +91(0)6712800, **Fax:** +91(0)124-6712999  
**Visit us at:** [www.honda2wheelersindia.com](http://www.honda2wheelersindia.com) **Customer Care:** [customercare@honda.hmsi.in](mailto:customercare@honda.hmsi.in)

Dealer Stamp